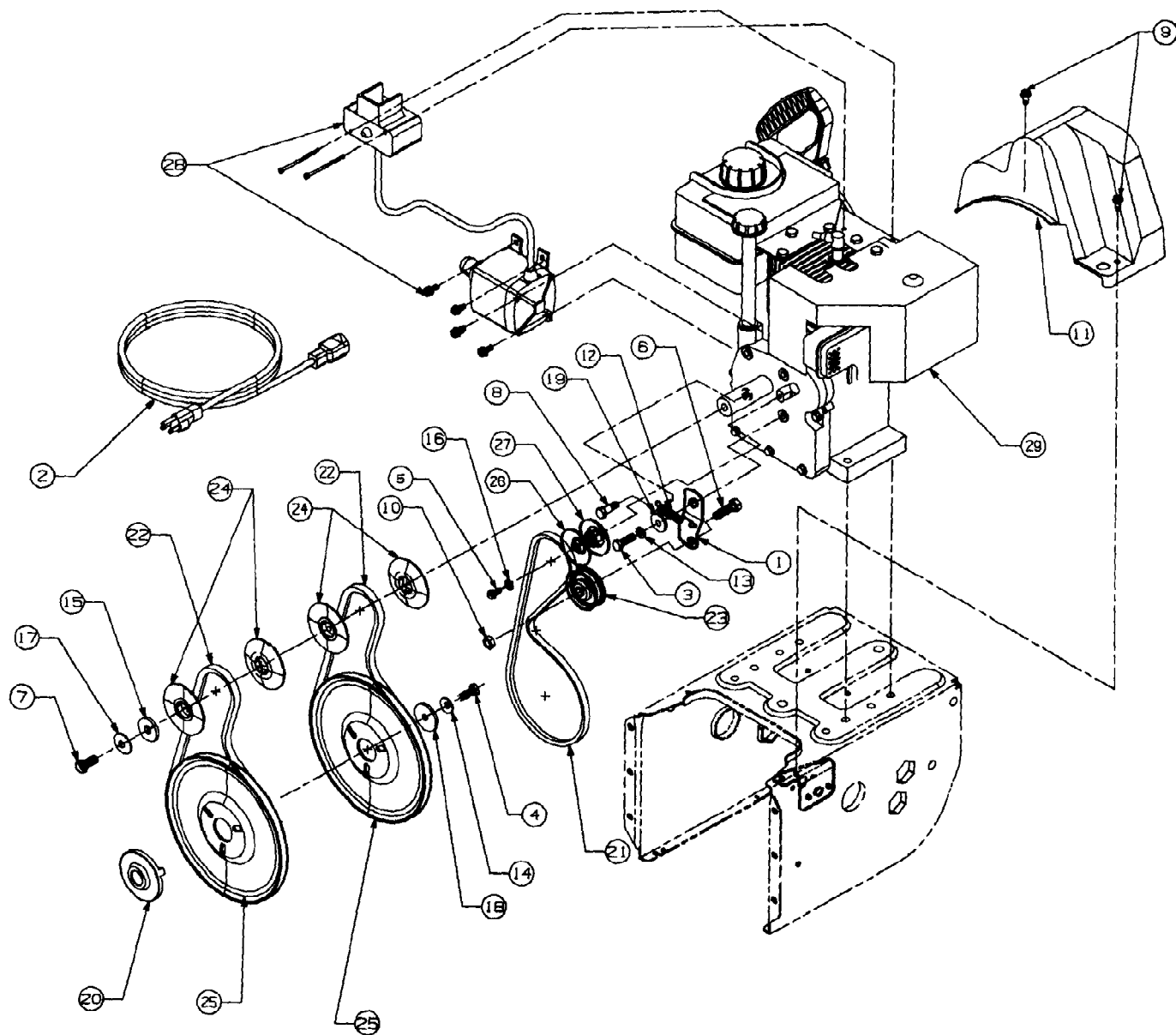


316E756G190 Snow Boss 950ST (1996)
Engine, Starter, V-Belt And Pulley

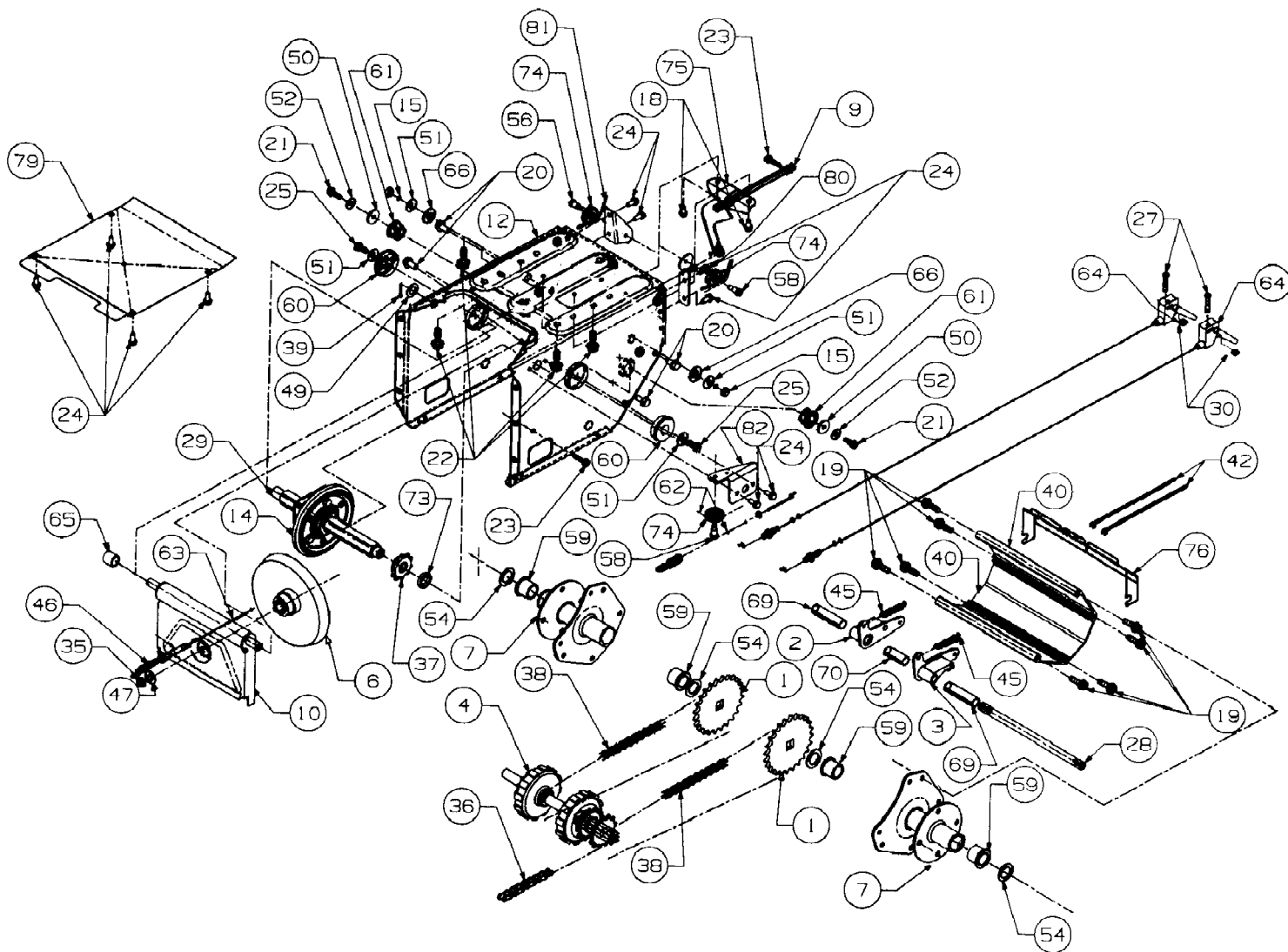


316E756G190 Snow Boss 950ST (1996)
 Engine, Starter, V-Belt And Pulley

Page 2 of 14

Ref #	Part Number	Qty	S/P/F	Description
1	05896A	1		Bracket
2	629-0071	1	S	Cord, Extension
3	710-0117	1	S	Screw
4	710-0157	1	/P	Screw
5	710-0230	1	/P	Screw
6	710-0342	1	S	Screw
7	710-0696	1	/P	Screw
8	710-0888	1	/P	Screw
9	710-0896	2	/P	Screw
10	712-0181	1	S	Nut, Hex
11	731-1324	1		Belt Cover
12	732-0710	1	S	Spring
13	736-0119	1	S	Washer - Lock
14	736-0242	1	/P	Washer - Bell
15	736-0247	1	/P	Flat Washer
16	736-0329	1	S	Washer - Lock
17	736-0331	1	/P	Washer
18	736-0505	1		Washer
19	748-0234	1	/P	Shoulder Spacer
20	748-0360	1	S	Pulley Adapter
21	754-0346	1	S	V-Belt
22	754-0430	2	S	V-Belt
23	756-0313	1	/P	Idler, Flat
24	756-0569	4		Pulley, Half
25	756-0967	2		Pulley, Auger
26	756-0986	1		Pulley, Half
27	756-0987	1	S	Pulley, Half
28	390-987-000	1	S	Starter For model E756G Only
29		1		Engine

316E756G190 Snow Boss 950ST (1996)
Frame And Wheel Assembly



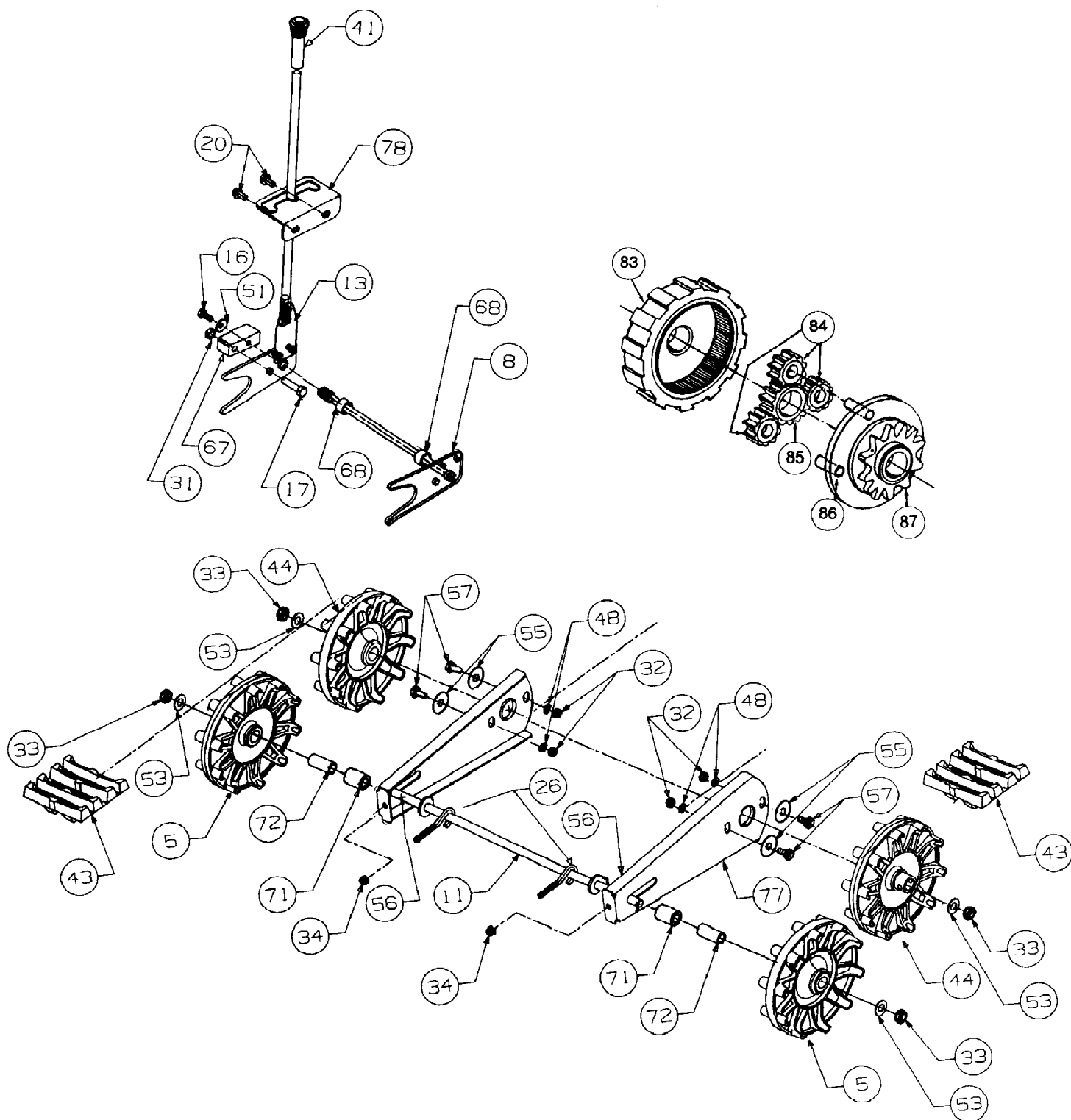
316E756G190 Snow Boss 950ST (1996)
Frame And Wheel Assembly

Page 4 of 14

Ref #	Part Number	Qty	S/P/F	Description
1	611-0053	2		Axle Assembly
2	618-0043	1		Dog Assembly - R.H.
3	618-0044	1		Dog Assembly - L.H.
4	618-0169	1	S	Shaft Assembly
6	656-0012	1	S	Disc Assembly
7	683-0024	2	S	Hub Assembly
9	684-0014A	1	S	Rod Shift Assembly
10	684-0021	1	S	Bracket Assembly
12	684-0033	1		Frame Assembly
14	684-0042A	1	S	Wheel Assembly Friction
	735-0243	1	S	Rubber Only
15	710-0118	2	S	Screw
18	710-0599	2	/P	Screw
19	710-0602	8	/P	Screw
20	710-0604	6	S	Screw
21	710-0642	2	/P	Screw
22	710-0654A	4	/P	Screw
23	710-0788	2	/P	Screw
24	710-0896	10	/P	Screw
25	710-1087	2	S	Screw
27	710-1233	2	/P	Screw
28	711-0911	1		Shaft
29	711-1042	1		Shaft
30	712-0127	2	/P	Nut Flange
35	712-0711	1	/P	Nut Jam
36	713-0233	1	/P	Chain
37	713-0413	1		Sprocket
38	713-0437	2		Chain
39	714-0474	1	S	Pin Cotter
40	719-0295A	1	/P	Housing Track
42	725-0157	2	/P	Cable Tie
45	732-0209	2	S	Spring
46	732-0264	1	S	Spring
47	736-0105	1	/P	Washer - Bell
49	736-0160	1	S	Washer - Flat
50	736-0176	2	S	Washer - Flat
51	736-0242	5	/P	Washer - Bell
52	736-0270	2	/P	Washer - Bell
54	736-0287	4	S	Washer - Flat
56	737-0170	1		Lubricant
58	738-0924	3	S	Screw - Shoulder
59	741-0339	4	S	Bearing - Flange
60	741-0563	2	S	Bearing - Ball
61	741-0597	2	S	Bearing - Hex Flange
62	746-0897A	1	S	Cable - Auger Clutch
63	746-0898A	1	S	Cable - Drive Clutch
64	746-0900	2	S	Cable with Trigger Lever
65	748-0190	1	/P	Spacer
66	748-0234	2	/P	Spacer - Shoulder
69	750-0903	2	S	Spacer - Split
70	750-0904	1		Spacer - Split
73	750-0997	1	S	Spacer
74	756-0625	3		Roller - Cable

316E756G190 Snow Boss 950ST (1996)
Frame And Wheel Assembly

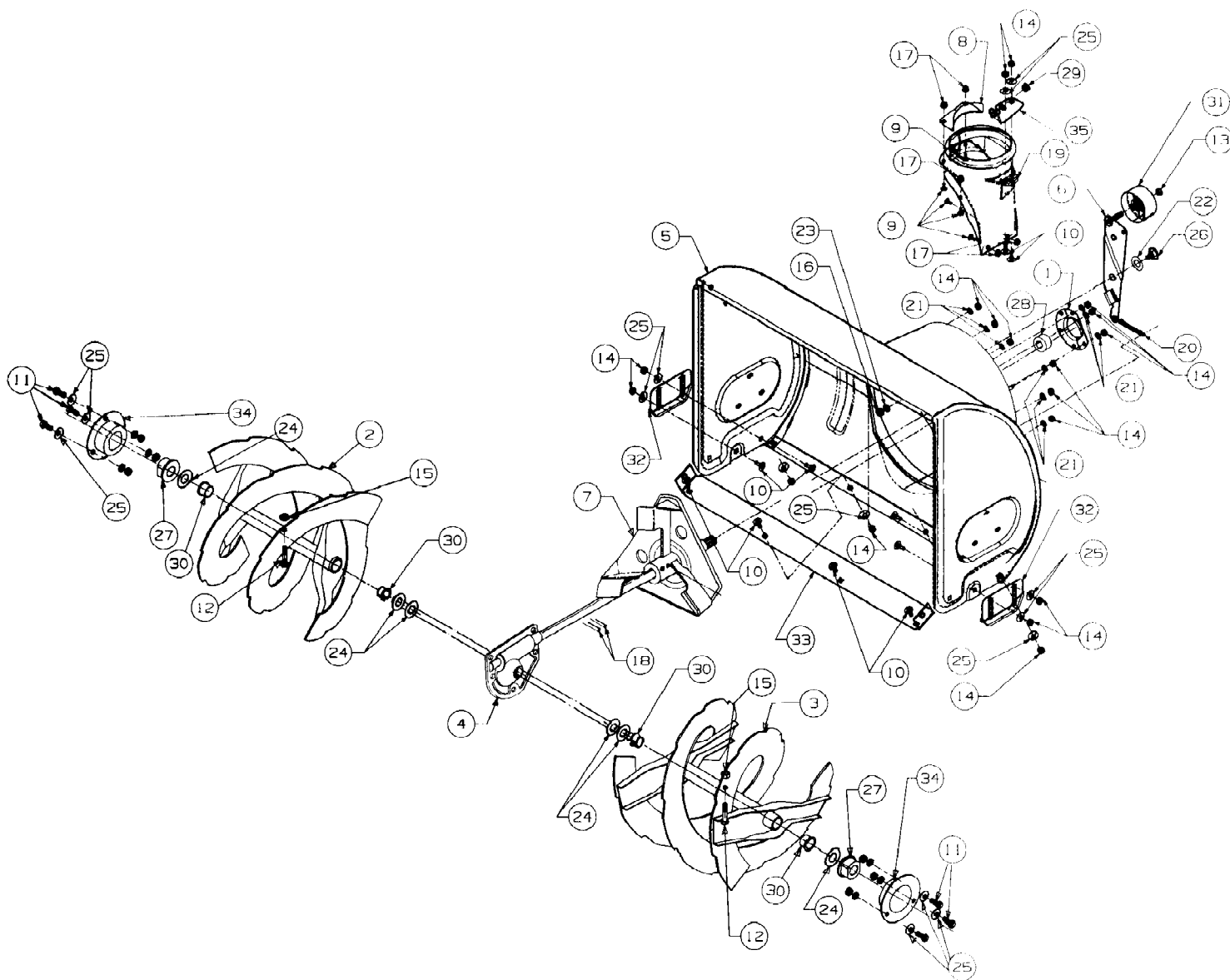
Ref #	Part Number	Qty	S/P/F	Description
75	784-5590	1		Bracket
76	784-5609	1		Bracket
79	784-5648	1		Cover - Frame
80	784-5687	1	S	Bracket - Guide
81	784-5688	1	S	Bracket - Guide
82	784-5689	1	S	Bracket - Guide



316E756G190 Snow Boss 950ST (1996)
Handle Assembly And Gear Ring

Page 7 of 14

Ref #	Part Number	Qty	S/P/F	Description
5	631-0032	2	/P	Wheel Assembly Idler
8	684-0009	1		Rod Track Pivot
11	684-0024	1	S	Axle Assembly
13	684-0038	1	S	Handle Assembly
16	710-0157	1	/P	Screw
17	710-0459	1	S	Screw
20	710-0604	6	S	Screw
26	710-1231	2		Screw
31	712-0214	1	S	Nut Lock
32	712-0267	4	S	Nut Hex
33	712-0346	4	S	Nut Jam
34	712-0429	2	S	Nut Hex
41	720-0223	1		Grip
43	731-1292	2		Track
44	731-1538	2	S	Wheel - Track Drive
48	736-0119	4	S	Washer - Lock
51	736-0270	2	/P	Washer - Bell
53	736-0272	4	S	Washer - Flat
55	736-0406	4	S	Washer - Flat
56	737-0170	1		Lubricant
57	738-0140	4	S	Screw - Shoulder
67	748-0353A	1		Lift - Shaft Drive
68	750-0547	2		Spacer
71	750-0909	2		Spacer
72	750-0995	2		Spacer
77	784-5639	2		Plate - Track Side
78	784-5642	1		Plate - Track Lockout
83	717-1211	2	S	Gear Ring
84	717-1209	6	S	Gear 12-Tooth
85	717-1210	1	S	Gear 18-Tooth
86	741-0542	6		Pin Dowel
87	718-0188	2	S	Carrier

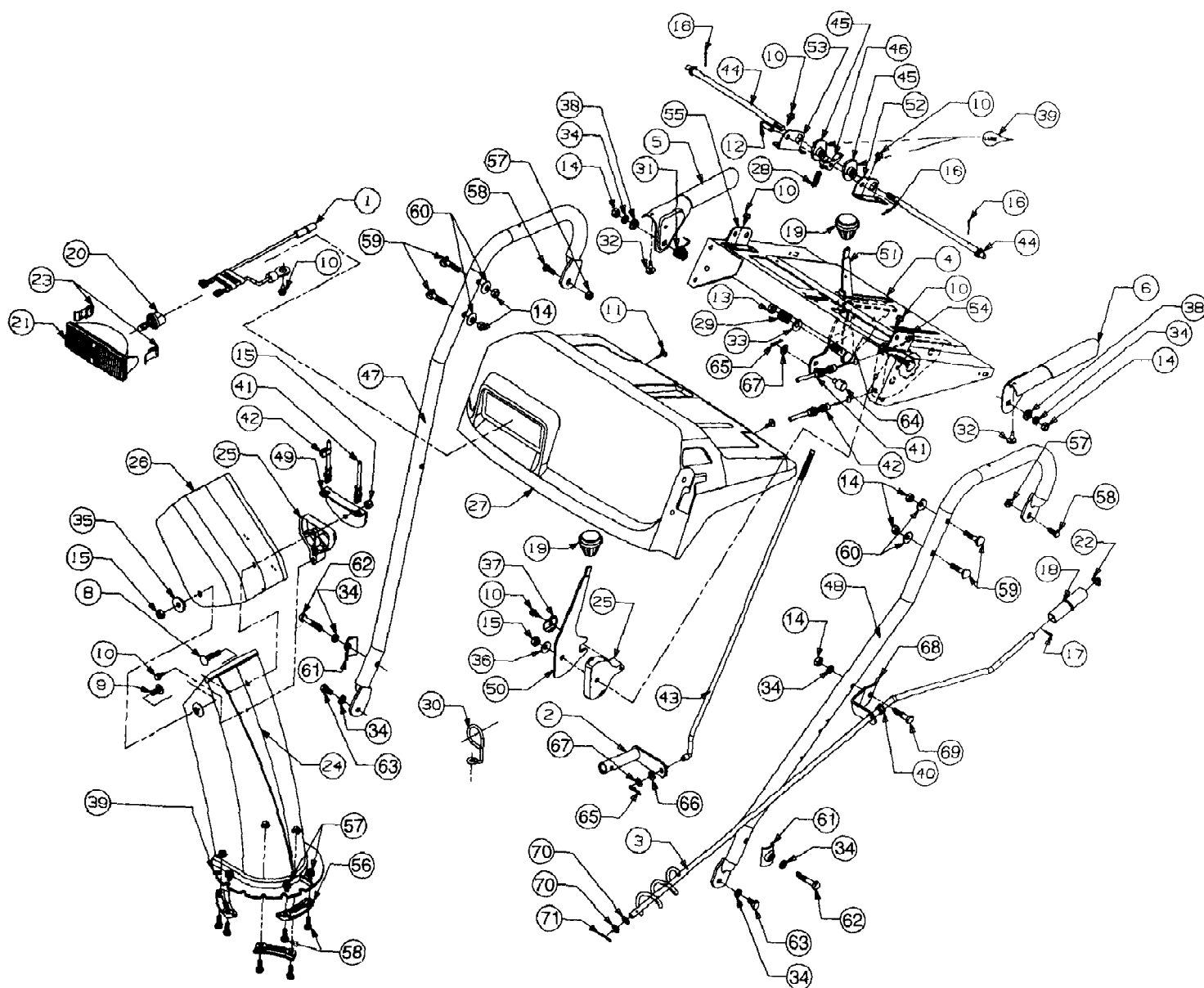


316E756G190 Snow Boss 950ST (1996)
Housing, Spiral And Gear Assemblies

Page 9 of 14

Ref #	Part Number	Qty	S/P/F	Description
1	05931	1	S	Housing - Bearing
2	605-5189	1	S	Spiral Assembly - L.H. 24"
	605-5197	1	S	Spiral Assembly - L.H. 28"
3	605-5188	1	S	Spiral Assembly - R.H. 24"
	605-5196	1	S	Spiral Assembly - R.H. 28"
4	618-0120	1	S	Gear Assembly 24"
	618-0122	1	S	Gear Assembly 28"
5	684-0039A	1	S	Housing Assembly 24"
	684-0041A	1	S	Housing Assembly 28"
6	684-0064	1	S	Arm - Idler Assembly
7	684-0065	1	S	Impeller Assembly
8	705-5226	1		Reinforcement - Chute
9	710-0167	5	/P	Screw - Carriage
10	710-0451	10	/P	Screw - Carriage
11	710-0604	6	S	Screw - Hex
12	710-0890	2	S	Shear Bolt
13	712-0116	1	S	Nut - Hex Lock
14	712-0267	19	S	Nut - Hex
15	712-0429	2	S	Nut - Hex
16	712-0798	1	/P	Nut - Hex
17	712-3027	5	S	Nut - Hex Lock
18	715-0114	2	S	Pin - Spring
19	731-1379	1	S	Adapter - Chute
20	732-0611	1	S	Spring
21	736-0119	9	S	Washer - Lock
22	736-0167	1	S	Washer - Flat
23	736-0169	1	S	Washer - Lock
24	736-0188	6	/P	Washer - Flat
25	736-0242	16	/P	Washer - Bell
26	738-0281	1	S	Screw - Shoulder
27	741-0245	2	S	Bearing - Flange
28	741-0309	1	S	Bearing - Ball
29	741-0475	1	S	Bushing - Plastic
30	741-0493A	4	/P	Bushing - Flange
31	756-0178	1		Idler - Flat
32	784-5580	2		Shoe - Slide
33	784-5581A	1	S	Shave Plate 24"
	784-5582A	1	S	Shave Plate 28"
34	784-5618	2	S	Housing - Bearing
35	784-5647	1	S	Bracket - Chute Crank

316E756G190 Snow Boss 950ST (1996)
Upper/Lower Chute And Engagement Handle



316E756G190 Snow Boss 950ST (1996)
Upper/Lower Chute And Engagement Handle

Page 11 of 14

Ref #	Part Number	Qty	S/P/F	Description
1	629-0059	1	S	Harness
2	684-0008	1	S	Arm Shift
3	684-0022	1	S	Crank Chute
4	684-0032A	1		Panel Handle w/Tilt
5	684-0036	1	S	Handle, Engagement - R.H.
6	684-0037	1	S	Handle, Engagement - L.H.
8	710-0262	1	/P	Bolt - Carriage
9	710-0451	1	/P	Bolt - Carriage
10	710-0896	7	/P	Screw
11	710-1003	2	/P	Screw
12	711-0653	1	/P	Pin, Clevis
13	712-0116	1	S	Nut, Hex Lock
14	712-0267	7	S	Nut, Hex
15	712-3068	3	S	Nut, Hex Lock
16	714-0507	3	S	Pin, Cotter
17	715-0138	1	S	Roll Pin
18	720-0201A	1	/P	Knob, Chute Crank
19	720-0232	2	S	Knob, Shift
20	725-1658	1	S	Lamp, Halogen
21	725-1672	1	S	Housing, Lamp, Lens
22	726-0100	1	S	Cap, Push
23	726-0321A	2	S	Clip, Retaining
24	731-1300A	1	S	Lower Chute
25	731-1313	2	S	Cable Guide
26	731-1320	1	S	Chute, Upper
27	731-1578	1		Panel Handle
28	732-0145	1	/P	Spring
29	732-0193	1	/P	Spring
30	732-0705	1		Cable Control Wire
31	732-0746	1		Spring
32	735-0199A	2	S	Bumper
33	736-0105	1	/P	Washer - Bell
34	736-0119	7	S	Washer - Lock
35	736-0231	1	S	Washer
36	736-0242	1	/P	Washer - Bell
37	736-0506	1	S	Washer
38	736-0509	2		Washer
39	737-0133	1	S	Grease
40	741-0475	1	S	Bushing, Plastic
41	746-0896	1	S	Cable, Chute Control
42	746-0901	1	S	Cable, Chute Deflector
43	747-0798A	1	/P	Rod, Shift
44	747-0877	2		Rod, Cam
45	748-0362	2		Cam Handle Lock
46	748-0363	1	S	Pawl Handle Lock
47	749-0908A	1	S	Handle - R.H.
48	749-0909	1	S	Handle - L.H.
49	784-5594	1		Bracket - Cable
50	784-5604	1	S	Handle - Shift Chute
51	784-5619	1	S	Handle - Shift
52	784-5679	1	S	Bracket, Handle Support - L.H.
53	784-5680	1	S	Bracket, Handle Support - R.H.
54	784-5681	1	/P	Bracket, Handle Support - L.H.

316E756G190 Snow Boss 950ST (1996)
Upper/Lower Chute And Engagement Handle

Page 12 of 14

Ref #	Part Number	Qty	S/P/F	Description
55	784-5682	1	S	Bracket, Handle Support - R.H.
56	731-0851A	1	/P	Chute Flange Keeper
57	712-3027	8	S	Hex L-Nut 1/4-20 Thd.
58	710-0851	8		Hex Bolt 1/4-20 x 3/4" Lg.
59	710-1250	4	/P	Carr. Bolt 5/16-18 x 1.5" Lg.
60	736-0242	4	/P	Bell-Wash. 5/16" I.D.
61	784-5599	2	S	Handle Tab
62	710-3180	2	/P	Hex Bolt 5/16-18 x 1.75" Lg.
63	710-0538	2	/P	Hex Bolt 5/16-18 x 5/8" Lg.
64	711-0677	1	S	Ferrule
65	714-0104	2	S	Hairpin Clip
66	736-0271	1	S	Spr. Wash. 5/16" I.D.
67	736-0264	2	S	FI-Wash. 5/16" I.D.
68	784-5678	1		Upper Chute Crank Brkt.
69	710-0442	1	S	Hex Bolt 5/16-18 x 1.5" Lg.
70	736-0140	2	S	FI-Wash. 3/8" I.D.
71	714-0507	1	S	Cotter Pin

316E756G190 Snow Boss 950ST (1996)
Worm Gear And Shaft

Page 14 of 14

Ref #	Part Number	Qty	S/P/F	Description
1	618-0123	1	S	Housing - R.H.
2	618-0124	1	S	Housing - L.H.
3	710-0642	5	/P	Screw
4	711-0910	1	S	Axle, Spiral 28" (E756G)
	711-0908	1	S	Axle, Spiral 24" (746E)
5	714-0161	1	S	Key, Hi-Pro
6	715-0143	1	S	Pin, Spiral
7	717-0526	1		Worm, Shaft
8	717-0528	1	S	Gear, Worm
9	718-0186	1		Collar, Thrust
10	721-0325	1		Plug
11	721-0327	1		Seal, Oil
12	721-0328	1		Loctite 5699, Ultra
13	736-0351	2	S	Washer
14	736-0369	4	S	Washer
15	736-0445	1	S	Washer
16	737-0168	1	S	Grease
17	741-0376	1	S	Bearing Flange
18	748-0108	1	S	Bearing Flange